

PSYCHOMETRIC PROPERTIES OF THE DIFFERENTIATION OF SELF INVENTORY-REVISED IN TURKISH ADULTS

Erkan Işık and Sabiha Bulduk
Mevlana University

The purpose of the current study was to examine the validity and reliability of (Journal of Marital and Family Therapy 2003, 29, 209) Differentiation of Self Inventory-Revised (DSI-R; Skowron & Schmit, 2003) in Turkish adults. The DSI-R was translated, independently back-translated, and revised. Two independent samples of adults over the age of 25 were used. The original 46-item DSI-R was not supported by the data derived from Sample 1 (n = 221). However, a revised 20-item, four-factor model fit the data well. This 20-item model was subsequently cross-validated with a second sample of Turkish adults (n = 187). Scale scores showed adequate internal consistency, 5-week test-retest reliability, and satisfactory convergent and criterion-related validity. It was concluded that Turkish DSI-R (DSI-T) is a valid and reliable measure to assess an individual's differentiation level. In light of the findings, implications for the use of the DSI-T and ideas for future research are discussed.

Bowen Family Systems Theory can be regarded as the most comprehensive theory of human functioning from a systems perspective (Skowron, Van Epps, & Cipriano, in press). In his theory and therapy, Bowen focused on multigenerational transmission process, family of origin issues, and family projective process (Bowen, 1976, 1978). He is considered as the first family therapist to develop a complete theory about intergenerational emotional reactivity and how this may affect the present nuclear family (Kerr, 2008). According to Bowen (1978), patterns of family interaction pass from one generation to the next. Within these patterns, differentiation of self has emerged as the core concept of his theory.

Differentiation of self is conceived as the degree to which one is able to balance (a) emotional and intellectual (feeling-thinking) functioning and (b) intimacy and autonomy (togetherness-separateness) in relationships, especially within the family of origin (Bowen, 1978; Skowron & Friedlander, 1998). Balancing emotional and intellectual functioning refers to one's ability to distinguish his or her feelings from his or her thoughts, and balancing intimacy and autonomy refers to one's ability to distinguish overdependence from independence (Bowen, 1978; Kerr, 2008; Kerr & Bowen, 1988). Bowen (1978) explained many personality characteristics in terms of differentiation. For instance, highly differentiated people are capable of thoughtful consideration, connected with significant others while maintaining a separate self, able to set a more objective life course, are more flexible, more adaptable, and emotionally more independent when compared with their lower differentiated counterparts. Bowen (1978) postulated that differentiation developed in family relationships results in solid selves, and people with solid selves have reasonable expectations of what to get from self and others, clearly defined beliefs and life principles based on thoughtful process, and responsibility for self and consequences of their choices.

Erkan Işık, PhD, Assistant Professor at the Department of Psychological Counseling & Guidance, Mevlana University; Sabiha Bulduk, MS, Research Assistant at the Department of Psychological Counseling & Guidance, Mevlana University.

The authors would like to express thanks to Dr. Elizabeth Skowron for her confirmation during the backtranslation process and to the editor Dr. Fred Piercy and anonymous reviewers for their invaluable and insightful comments on the earlier draft of this article.

Address correspondence to Erkan Işık, Department of Psychological Counseling & Guidance, Mevlana University, Yeni İstanbul Cad. No:235 42003, Selçuklu, Konya, Turkey; E-mail: eisik@mevlana.edu.tr

As a multidimensional construct, differentiation of self has two main dimensions, namely intrapsychic and interpersonal relationships (Skowron & Friedlander, 1998). The intrapsychic dimension consists of emotional reactivity and difficulty in taking an “I” Position. When intrapsychic differentiation occurs, the individual does not impulsively act out strong feelings, but rather reflects on these feelings, and this helps the individual free himself or herself from replicating the problematic, emotionally driven interaction patterns from the family of origin (Carr, 2006). The interpersonal dimension consists of fusion and emotional cut off. When interpersonal differentiation occurs, the individual can better develop person-to-person relationships and regulate the emotional distancing with others.

Although Bowen’s Family Systems Theory has received much attention from both clinicians and researchers, there have been few attempts to test its constructs’ validity by developing sound measures to assess them, especially differentiation of self (Anderson & Sabatelli, 1992; Haber, 2003; Licht & Chabot, 2006). As discussed by Schnarch and Regas (2012), many of these scales measured only one component of differentiation rather than a broader evaluation. Skowron and Friedlander (1998) developed the differentiation of self inventory (DSI) to fill this gap. In line with Bowen’s theory, they used four dimensions of differentiation as the subscales of their scale: Emotional Reactivity (ER), Taking an “I” Position (IP), Emotional Cutoff (EC), and Fusion with Others (FO). This was a 43-item self-report measure focusing on adults, their significant relationships, and current relations with family of origin. Skowron and Friedlander (1998) reported moderate to high internal consistency with values of coefficient alpha range from .74 to .85 for the four subscales, and .88 for the total score. After examining the studies that used DSI and realizing that the FO subscale consistently demonstrated lower reliability estimates (ranging from .57 to .74), Skowron and Schmitt (2003) further revised the DSI Fusion subscale to strengthen its reliability and construct-related validity. The revised scale (DSI-R) contained 46 items with the same subscales. Internal consistency reliability coefficients were higher in this form ranging from .81 to .89 for the four subscales and .92 for the total score. The DSI-R can also be used as a clinical instrument for evaluating psychotherapeutic progress and outcomes from a systemic perspective (Knauth & Skowron, 2004; Skowron & Friedlander, 1998). Determining and working with the most differentiated member of the family would indirectly facilitate the change of the other members and the system as a whole (Skowron & Friedlander, 1998). Further, by examining subscales of DSI, practitioners would better identify which factors of differentiation seem more problematic and design therapy sessions to strengthen these components. For instance, if the client’s score were low on fusion dimension, the therapist would apply an individual, insight-oriented approach, whereas if client’s I-Position score were low, the therapist would apply interpersonal, experiential interventions (Murray, Daniels, & Murray, 2006; Peleg, 2002; Skowron & Friedlander, 1998).

There is also an extensive body of supporting validity data, including relationships between the DSI scales and other psychological constructs. Greater differentiation of self is associated with lower levels of psychological distress (Kim-Appel, Appel, Newman, & Parr, 2007; Murdock & Gore, 2004; Skowron, Stanley, & Shapiro, 2009) and depression (Hooper & DePuy, 2010; Hooper & Doehler, 2011), and higher levels of marital satisfaction (Peleg, 2008; Skowron, 2000), relationship satisfaction (Lal & Bartle-Haring, 2011), and psychological adjustment (Skowron, 2004; Skowron, Wester, & Azen, 2004).

Despite the vast amount of research on the concept of differentiation of self, researchers called for further investigations of it across other United States racial/ethnic groups and non-English-speaking countries (Skowron & Friedlander, 1998; Skowron et al., in press). They stated that even though Bowen’s concept of differentiation has universal aspects, more research is needed to better understand it within the context of different cultures (i.e., collectivistic vs. individualistic) and worldviews. They also suggested cross-validation of DSI since results of exploratory and confirmatory factor analysis may have differed with different samples. Besides, Seponski, Bermudez, and Lewis (2013) argued that developing culturally appropriate measures and instruments that meet the needs of the unique population is a prerequisite of creating culturally responsive family therapy models and research. Therefore, the current study would have also an important contribution for the family therapy research and applications in Turkey and countries sharing similar cultural patterns with Turkey.

Cultural patterns lead individuals and their families to attaching different meanings to life events (Triandis, 1995). Therefore, it is not surprising that they value different things and shape different self-concepts (Oyserman & Lee, 2008). When talking about culture, individualism and collectivism come out as two main components differing cultures (Hofstede, 1980; Kağıtçıbaşı, 1997; Triandis, 1995, 2007). People in individualistic cultures value more on independence and autonomy, whereas people in collectivistic cultures value more on interdependence and intimacy (Skowron, 2004; Triandis, 1995). Chung and Gale's (2006) cross-cultural study supports this notion that undergraduate students from collectivistic Korean culture scored significantly lower than students from European American culture on each subscale of DSI-R. In another study, however, an inconsistent result was found by Tuason and Friedlander (2000) that Philippine and the U.S. samples did not differ significantly on their overall differentiation of self scores. Thus, further evidence is needed for the assertion that differentiation levels differ with respect to various cultural characteristics.

The current study is conducted with adults from Turkey, which has traditionally been regarded as a "constructivist" culture (Kağıtçıbaşı, 1996a). The family model in collectivistic cultures is represented by emotional and economic interdependence between generations, whereas the individualistic family model is based on the emotional and economic independence of the individual (Kağıtçıbaşı, 2005). With the effect of urbanization and economic development, Turkey is in a transition period in which it demonstrates both characteristics of collectivistic and individualistic cultures and their family models (Hortaçsu, 2003; Imamoğlu & Imamoğlu, 1992; Kağıtçıbaşı, 2005; Kağıtçıbaşı & Ataca, 2005). Specifically, families value interdependence in emotional aspects and independence in economic aspects (Kağıtçıbaşı, 1996b, 2005). The distinction is commonly determined by socioeconomic status that the more individuals' socioeconomic status increases, the more they demonstrate the culture and family models of individualistic societies (Imamoğlu & Karakitapoğlu-Aygün, 2004, 2006, 2007).

The DSI-R appears to be a reliable and valid measure when applied with American populations. However, few published studies have been conducted with diverse samples outside the United States (US). In one exception, Chung and Gale (2006) studied cultural differences in differentiation of self between European American and Korean students. The results of this study demonstrated that internal consistency levels were adequate to strong with values of $ER = 0.68$, $IP = 0.68$, $EC = 0.63$, $FO = 0.69$, and $.85$ for the full scale. In Hebrew versions of DSI (Peleg, 2002) and DSI-R (Peleg, 2008), these values were $ER = 0.77$, $IP = 0.66$, $EC = 0.72$, $FO = 0.55$, and DSI full scale = 0.76 ; and $ER = 0.89$, $IP = 0.67$, $EC = 0.78$, $FO = 0.75$, and $DSI-R$ full scale = 0.80 , respectively. As no evidence exists regarding the use of the DSI-R scale and its subscales within a Turkish sample, a study on its validity and reliability on a Turkish population is clearly called for. Responding to the call for further investigations of the Bowenian construct of differentiation of self across other United States racial/ethnic groups and non-English-speaking countries (Skowron & Friedlander, 1998; Skowron et al., in press), the purpose of the present study was twofold: (a) to explore the factor structure of the DSI-R in a Turkish adult sample, (b) to cross-validate the structure of this model and further examine the other psychometric properties of the DSI-R with an independent sample of Turkish adults.

METHOD

Participants

Two independent samples of adults over the age of 25 were used. Sample 1 served as the calibration sample for the first objective of the study, which was to explore the most appropriate structure of the DSI-R. This sample consisted of 221 adults who were the parents of psychological counseling and guidance students. Of them, 119 (54%) were women and 95 (43%) were men (seven sex unspecified). Their ages ranged from 42 to 65, with a mean age of 48.56 ($SD = 8.68$). Sample 2 served as the validation sample and contained 187 adults including psychological counselors, psychologists, social workers, and nurses who participated in a family counseling training program. Of them, 109 (58%) were women and 78 (42%) were men. Their ages ranged from 25 to 56, with a mean age of 37.48 ($SD = 9.23$).

Procedure

Participants in Sample 1 were contacted via their children. During the class time, the first author of the study gave brief information about the study and distributed packets of research instruments to the students. Packets included written/verbal consent instructions and written information about the privacy policy which was for their parents not to share their answers with their partners. Participants completed them separately at home, and students returned materials in two separate sealed envelopes to the researchers. For the Sample 2, data were collected during class time by two researchers. After listening to a description of the study, trainees were provided written/verbal consent instructions. Volunteers who agreed to participate were given and completed the research instruments. All participants were informed that their responses would be kept anonymous and only group data would be reported. No incentives were offered to the participants in both samples for their participation in the study.

Data Analysis

All preliminary analyses, Pearson's correlations, and exploratory factor analyses were conducted with SPSS version (SPSS Inc., Chicago, IL, USA) 15 for Windows. Confirmatory factor analyses with maximum likelihood (ML) estimation and fit statistics were carried out with AMOS 16.0 (SPSS Inc., Chicago, IL, USA).

Measures

Differentiation of Self Inventory-revised (DSI-R; Skowron & Friedlander, 1998; Skowron & Schmitt, 2003). The DSI-R is a 46-item self-report measure of Bowen's concept of differentiation of self (DSI-R; Skowron & Friedlander, 1998; Skowron & Schmitt, 2003). Ratings are made on a six-point scale from *Not at all true of me* (1) to *Very true of me* (6). It contains four subscales: Emotional Reactivity (ER), "I" Position (IP), Emotional Cutoff (EC), and Fusion with Others (FO). The 11-item ER assess the degree to which a person responds to environmental stimuli on the basis of emotional flooding, emotional lability, or hypersensitivity. A sample item includes "People have remarked that I'm overly emotional." The 11-item IP assess a clearly defined sense of self and the ability to thoughtfully adhere to one's convictions even when pressured to do otherwise. A sample item includes "I usually do what I believe is right regardless of what others say." The 12-item EC assess the feeling threatened by intimacy in relationships with others and fears of engulfment and behavioral defenses like overfunctioning, distancing, or denial. A sample item includes "I have difficulty expressing my feelings to people I care for." The 12-item FO assess emotional overinvolvement with others, heavy reliance on others in decision making, and overidentification with parents which is taking in parental values, beliefs, and expectations without question. A sample item includes "I want to live up to my parents' expectations of me." Scores are calculated by reversing scores on the reversed items, then summing individual items comprising each scale and dividing by the number of items on each scale, so that higher scores reflect greater differentiation of self for the total DSI-R; less ER, EC, and FO, and greater ability to take an "I" Position. Internal consistency reliability was high with values of coefficient alpha range from .81 to .89 for the four subscales and .92 for the total score. The concurrent validity was supported by a positive correlation with marital satisfaction (Skowron, 2000) and a negative correlation with trait anxiety (Skowron & Friedlander, 1998) for the full DSI-R and its four subscales.

The DSI-R was translated by the two authors who are native Turkish speakers and also fluent in English. The translated versions were then back-translated independently by two professional translators from Mevlana University. The back-translated versions were compared with the original version for meaning accuracy by an English native speaker on the faculty of Mevlana University and finally by the first author of the original version of DSI (Dr. Elizabeth Skowron), and the meanings of several words were clarified and reworded.

Trait Anxiety Inventory (TAI; Spielberger, Gorsuch, Lushene, Vagg, & Jacobs, 1983). The TAI is a 20-item self-report measure of stable trait anxiety. Ratings are made on a four-point scale from *Almost never* (1) to *Almost always* (4) (TAI; Spielberger, Gorsuch, Lushene, Vagg, & Jacobs, 1983). Sample items include "I have trouble making up my mind" and "I worry too much." The range of possible score varies from a minimum score of 20 to a maximum score of 80, higher scores reflecting greater trait anxiety. The median alpha reliability coefficient was .90, and test-retest reli-

ability coefficients over intervals of 20 to 104 days were high ranging from .73 to .86. The concurrent validity of the scale was supported by the positive correlation with Taylor Manifest Anxiety Scale. This study administered a Turkish version of the TAI (Öner & LeCompte, 1985). The adapted TAI had an alpha coefficient between .83 and .92 with different samples, and test-retest coefficient was .86. The concurrent validity was supported by the positive correlations with other anxiety scales ranging from $r = .58$ to $r = .84$.

RESULTS

Prior to analysis, all study variables were examined for accuracy of data entry, assumptions of normal distribution and multivariate analysis for both samples. Skewness and kurtosis values ranged from -0.74 to 1.18 and -0.92 to 1.22 , respectively, suggesting that the items conform to the assumptions of multivariate analyses. Scale means and standard deviations for each of the four subscales of DSI-T and DSI-T total scale are presented for both samples in Table 1. As shown in Table 1, Sample 1 had a mean score of 3.66 and Sample 2 had a mean score of 3.89 on the overall DSI. For both samples, Emotional Reactivity had the lowest ($M = 2.89$, $M = 3.23$, respectively) and Taking "I" Position had the highest ($M = 4.08$, $M = 4.26$, respectively) mean score.

Structural Validity

To test the stability of the original factor structure of the four-factor DSI-R (Skowron & Schmitt, 2003), a confirmatory factor analysis (CFA) was conducted using AMOS 16.00 software. As a combined rule for the acceptance of the model, five measures of fit indices were used with the following values: the chi-square/degrees of freedom (df) ratio >3 , the goodness-of-fit-index (GFI), adjusted goodness-of-fit-index (AGFI), and the comparative-fit index (CFI) $>.90$, and the root mean square error of approximation (RMSEA) $<.08$ (Browne & Cudeck, 1993; Hu & Bentler, 1999). The model indices were as follows: $\chi^2/df = 1.73$, GFI = .85, AGFI = .81, CFI = .79, RMSEA = .07, suggesting an unacceptable fit of the model to the data.

Concluding that 46-item DSI-R did not fit the data obtained from Turkish sample, an exploratory factor analysis (EFA) was conducted to further explore the factor structure of the 46-item DSI-R that better represented the sample data. The adequacy of the data for factor analysis was supported by a Kaiser's measure of sampling adequacy value of .77. Following Skowron and Schmitt's (2003) suggestion, a principal component factor analysis with oblique rotation was first conducted. Seven factors had eigenvalues greater than one, which accounted for 40.9% of the variance. Sixteen items had dual or triple loadings $>.30$, and four items were found to have poor loadings $<.30$. Remaining items loaded on their respective factors consistent with the theory. Examination of the scree plot demonstrated a substantial break after four factors, which accounted for 32.6% of the variance. These items were deleted, and an EFA was repeated with remaining items with four-factor solution as suggested in the theory. The most appropriate solution suggested a 26-item four-factor model. The total variance explained by the four factors was 50.4%. Factor 1

Table 1
Means, Standard Deviations, and Ranges of the DSI-T for Samples 1 and 2

DSI-R	Sample 1 ($n = 221$)			Sample 2 ($n = 187$)		
	Mean	SD	Range	Mean	SD	Range
Emotional reactivity	2.89	0.83	1.1–5.2	3.23	0.76	1.3–5.2
"I" position	4.08	0.77	1.9–6.0	4.26	0.79	2.3–6.0
Emotional cutoff	4.04	0.73	1.9–5.7	4.19	0.77	1.9–5.8
Fusion with others	3.59	0.72	1.6–5.5	3.84	0.69	2.2–5.4
Total	3.66	0.52	2.3–5.2	3.89	0.53	2.7–5.3

Note. Potential range for the total DSI-R and subscales: 1–6.

(ER) consisted of items 6, 21, 26, 30, 34, 38, and 40, which explained 19.4% of the variance. Factor 2 (IP) contained items 7, 15, 19, 23, 27, 31, and 41, which explained 13.9% of the variance. Factor 3 (EC) included items 2, 3, 8, 16, 20, 32, and 36, which explained 9.5% of the variance. Factor 4 (FO) included items 9, 17, 22, 33, and 45, which explained 7.6% of the variance (see Table 2).

Based on the results of the EFA, the four-factor model with 26 items was tested subsequently using CFA with maximum likelihood method for the generalizability and validation of the model. The results of CFA demonstrated that the model did not adequately describe the data ($\chi^2/df = 1.52$, GFI = .89, AGFI = .86, CFI = .84, RMSEA = .05). Thus, items having large modification indexes, poor parameter estimates $<.40$, and large standardized residuals were identified and deleted to examine the changes. Based on the combined information offered by modification indexes, parameter estimates, and standardized residuals, six items were dropped, and a respecified 20-item with the same four-factor model was tested. The results indicated a good fit of the four-factor structure of the 20-item DSI-T to the data with values of $\chi^2/df = 1.65$, GFI = .93, AGFI = .91, CFI = .92, RMSEA = .04. Parameter estimates ranged from .41 to .89. Intercorrela-

Table 2
Exploratory Factor Analyses

Items	Factor			
	1	2	3	4
Factor 1: Emotional reactivity				
Q34	0.69	-0.11	0.10	-0.08
Q26	0.64	0.06	-0.09	-0.02
Q40	0.63	0.05	0.11	0.08
Q38	0.59	0.03	-0.01	-0.19
Q21	0.52	-0.01	0.17	0.13
Q30	0.46	0.14	0.12	0.04
Q6	0.42	0.03	0.04	0.10
Factor 2: "I" position				
Q41	-0.06	0.71	-0.07	0.08
Q31	-0.12	0.66	-0.02	-0.01
Q23	0.08	0.65	-0.07	-0.05
Q27	0.01	0.65	0.10	0.01
Q19	0.20	0.52	0.18	-0.03
Q7	0.06	0.50	0.04	0.11
Q15	0.03	0.47	0.06	0.08
Factor 3: Emotional cutoff				
Q8	-0.08	0.08	0.77	0.16
Q16	-0.02	0.01	0.73	-0.02
Q36	0.03	-0.14	0.59	-0.05
Q3	0.12	-0.06	0.47	0.11
Q20	0.10	-0.04	0.43	0.06
Q32	0.06	0.11	0.42	0.09
Q2	0.08	0.05	0.39	0.02
Factor 4: Fusion with Others				
Q22	0.09	0.03	0.05	0.86
Q5	0.09	0.01	0.05	0.85
Q45	0.11	0.08	0.21	0.67
Q9	0.06	0.01	-0.02	0.65
Q33	-0.05	0.04	0.06	0.38

Note. Numbers in bold are the highest item-factor-loading values.

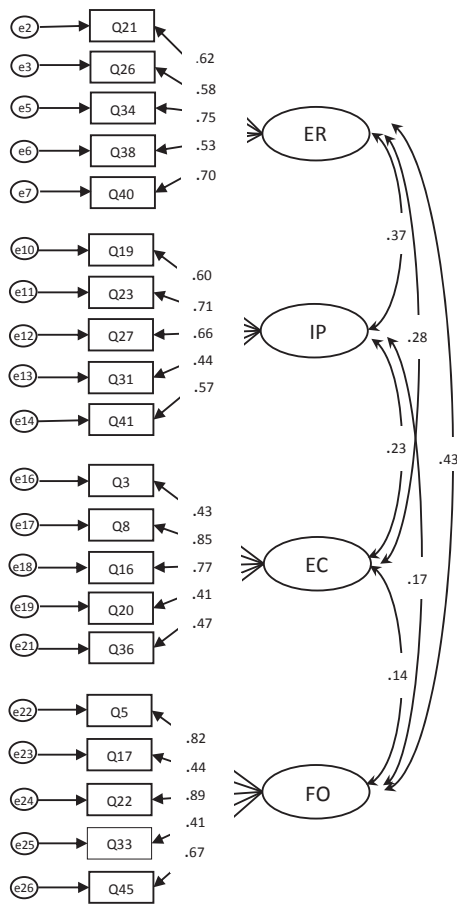


Figure 1. Factor structure and parameter estimates of the DSI-T.

tions among the four subscales of the DSI-T were small to moderate ranging from .14 to .43 (see Figure 1).

Convergent Validity

To provide additional evidence for the validity of the DSI-T, correlational analyses were conducted to test for the associations between each of the subscales, the total DSI-T and trait anxiety as measured by trait anxiety inventory. As expected, DSI-T total score associated negatively with trait anxiety ($r = -0.64, p < .001$). Each subscales of DSI-T were also negatively associated with trait anxiety (ER: -0.57 ; IP: -0.32 ; EC: -0.33 , and FO: $-0.56, p < .001$ for all).

Demographic Comparisons

To provide evidence for criterion-related validity of the DSI-T, we reported differences in terms of sex, age, and income. Following previous research suggesting that sex and age differences may exist among subscales of differentiation of self (Skowron, 2000; Skowron & Friedlander, 1998; Skowron & Schmitt, 2003), further analyses were conducted to compare the DSI-T and the original DSI as related to the demographic characteristics of sex, age, and income. The results of a multivariate analysis of variance (MANOVA) revealed statistically significant sex differences on the ER, $F(1, 185) = 29.15, p < .001$; IP, $F(1, 185) = 6.34, p < .001$; and FO, $F(1, 185) = 15.79, p < .001$; subscales, whereas no differences were seen on the EC subscale $F(1, 185) = .13, p > .05$. Specifically, women were emotionally more reactive ($M = 2.56, SD = 0.79$), experienced more difficulty in taking “I” Position in their relationships ($M = 3.99, SD = 0.77$), were emotionally more overinvolved with significant others ($M = 3.33, SD = 0.73$) when compared with men (ER:

$M = 3.17$, $SD = 0.72$; IP: $M = 4.27$, $SD = 0.74$; and FO: $M = 3.74$, $SD = 0.67$). No significant relationships were seen between DSI-R subscale scores and age and income level.

Internal Consistency and Test–Retest Reliability

Internal consistency reliabilities calculated using Cronbach's alpha were adequate to strong for the subscales and total scale: DSI-T total scale = 0.81, ER = 0.78, IP = 0.75, EC = 0.77, FO = 0.74.

To estimate the temporal stability of the DSI-T, test–retest reliability was evaluated using Pearson's product–moment correlation. A test–retest correlation was calculated between the mean scores of DSI-T taken from the data of the 63 participants drawn randomly from Sample 2 who completed the scale twice in an interval of 5 weeks during class time. The coefficient value was $r = 0.74$, suggesting that the temporal stability was satisfactory.

DISCUSSION

The current study sought to expand the literature on differentiation of self by examining validity and reliability of DSI-R, which is a sound measure to use for both clinical and research purposes, in two independent Turkish samples. On one hand, the results of the study supported the four-factor structure and other psychometric properties of the Turkish version of DSI-R, and they were mostly comparable with the properties of the original English version. On the other hand, CFA with the original DSI-R yielded an unacceptable fit to the data even though some indices were high. Thus, a series of EFA on the calibration sample and subsequently CFA on a cross-validation sample were conducted. Consistent with the four-factor model of the original DSI-R (Skowron & Friedlander, 1998; Skowron & Schmitt, 2003), results yielded a revised 20-item four-factor model fit the data well. This model was partially supported by Drake's (2011) work on the psychometric properties of a shortened 20-item version of DSI-R. His results indicated that shortened version of DSI-R had high alpha and test–retest reliability, structural and convergent validity suggesting that short form of DSI-R is a more efficient scale that still retained good psychometric properties. Many items of the DSI-T were the same with the DSI-R shorter version. Specifically, among the items of the original DSI-R, three items from ER (Items 21, 26, 34), two items from IP (Items 19 and 23), two items from EC (Items 8 and 16), and three items from FO (Items 5, 17, 33), subscales remained the same as those in Drake's 20-item DSI-R. One possible explanation for the items that did not match with the original and shorter versions of DSI-R which had to be deleted might relate to cultural differences. For instance, item 18 (“*At times I feel as if I'm riding an emotional roller-coaster*”) contains the word “roller-coaster.” This word seems very familiar to American culture; however, it is confusing in Turkish culture because there are very few roller-coasters, and only in large cities of Turkey. Although these meaning discrepancies were taken into consideration during the translation process, some items did not work well with the current sample.

All the subsequent analyses were conducted on the respecified model. Means for the subscales and the total of the DSI-T (ER = 3.23, IP = 4.26, EC = 4.19, FO = 3.84, DSI = 3.89) were very similar to those obtained from the English versions (e.g., Skowron & Friedlander, 1998; ER = 3.37, IP = 4.08, EC = 4.53, FO = 2.92, DSI = 3.74; Skowron & Schmitt, 2003; ER = 3.15, IP = 4.07, EC = 4.34, FO = 3.84, DSI = 3.86). In a Philippine sample, participants had approximately the same overall level of differentiation of self (Tuason & Friedlander, 2000). One possible explanation for the similar results with U.S. samples might be that Turkey demonstrates both collectivistic and individualistic cultural characteristics as stressed earlier. These consistent results can be regarded as evidence of external validity of the DSI-T, suggesting that DSI-T and its subscales are indeed reflective of differentiation of self.

In line with Skowron and Friedlander's findings (1998), the convergent validity of the DSI-T was supported by a high correlation between the DSI-T and the TAI. To provide further evidence for the criterion-related validity of the DSI-T, potential differences of sex, age, and income level were determined, which was suggested by previous research. These results were also consistent (Skowron & Dendy, 2004; Skowron & Schmitt, 2003) that women were emotionally more reactive, experienced more difficulty in taking “I” Position in their relationships, and emotionally more overinvolved with significant others when compared with men. In terms of age and income level, in line with Skowron and Schmitt's (2003) findings, no significant differences were detected.

Both results related to the reliability were satisfactory. The Cronbach's alpha coefficient was high for the total scale and moderate for the subscales. These results were consistent with previous studies conducted on non-English-speaking countries (e.g., Chung & Gale, 2006; Peleg, 2002, 2008) but lower than those conducted on US samples (e.g., Skowron & Friedlander, 1998; Skowron & Schmitt, 2003). Test-retest reliability in a 5-week interval was also satisfactory suggesting that the temporal stability of the DSI-T was good.

One potential limitation of the current study was that both samples used in the study were of middle and higher socioeconomic status. As the cultural characteristics of the groups might vary in terms of economic status, further research should include participants of lower socioeconomic status and compare these groups on differentiation of self scores. Another limitation was that participants studied were drawn from a convenient sample of adults, but further studies should be conducted for the applicability of the DSI-T to adolescent or undergraduate populations.

Overall, the DSI-T appears to be a valid and reliable instrument that could be used for understanding Turkish adults' level of differentiation self. A shorter version that still retains good psychometric properties can be an advantage. However, continuing evaluation of the applicability of the DSI-R to Turkish and other non-Western cultures is necessary to extend its generalizability and provide more empirical evidence for its structural validity.

REFERENCES

- Anderson, S. A., & Sabatelli, R. M. (1992). The differentiation in the family systems scale (DIFS). *American Journal of Family Therapy, 20*, 32–50.
- Bowen, M. (1976). Theory in the practice of psychotherapy. In P. J. Guerin, Jr. (Ed.), *Family therapy: Theory and practice* (pp. 42–90). New York, NY: Garner Press.
- Bowen, M. (1978). *Family therapy in clinical practice*. New York, NY: J. Aronson.
- Browne, M. W., & Cudeck, R. (1993). Alternative ways of assessing model fit. In K. A. Bollen & J. S. Long (Eds.), *Testing structural equation models* (pp. 136–162). Newbury Park, CA: Sage.
- Carr, A. (2006). *Family therapy. Concepts, process and practice* (2nd ed.). Chichester, UK: Wiley.
- Chung, H., & Gale, J. (2006). Comparing self-differentiation and psychological well-being between Korean and European American students. *Contemporary Family Therapy, 28*, 367–381.
- Drake, J. R. (2011). *Differentiation of Self Inventory—Short form: Creation and initial evidence of construct validity*. Unpublished doctoral dissertation, University of Missouri-Kansas City.
- Haber, J. (2003). The Haber level of differentiation of self scale. In L. Strickland & C. Dilorio (Eds.), *The Measurement of nursing outcomes*, (2nd ed., pp. 320–331). New York, NY: Springer.
- Hofstede, G. (1980). *Culture's consequences: International differences in work-related values*. Beverly Hills, CA: Sage.
- Hooper, L. M., & DePuy, V. (2010). Mediating and moderating effects of differentiation of self on depression symptomatology in a rural community sample. *The Family Journal, 18*, 358–368.
- Hooper, L. M., & Doehler, K. (2011). The mediating effects of differentiation of self on body mass index and depressive symptomatology among an American college sample. *Counselling Psychology Quarterly, 24*, 71–82.
- Hortaçsu, N. (2003). Marriage in Turkey. In R. R. Hamon & B. B. Ingoldsby (Eds.), *Mate selection across cultures* (pp. 155–171). Thousand Oaks, CA: Sage.
- Hu, L., & Bentler, P. M. (1999). Cutoff criteria for fit indices in covariance structure analysis: Conventional versus new alternatives. *Structural Equation Modeling, 6*, 1–55.
- Imamoğlu, E. O., & Imamoğlu, V. (1992). Life situations and attitudes of the Turkish elderly toward institutional living within a cross-cultural perspective. *Journal of Gerontology: Psychological Sciences, 47*, 102–108.
- Imamoğlu, E. O., & Karakitapoğlu-Aygün, Z. (2004). Self-construals and values in different cultural and socioeconomic contexts. *Genetic, Social, and General Psychology Monographs, 130*, 277–306.
- Imamoğlu, E. O., & Karakitapoğlu-Aygün, Z. (2006). Actual, ideal, and expected relatedness with parents across and within cultures. *European Journal of Social Psychology, 36*, 721–745.
- Imamoğlu, E. O., & Karakitapoğlu-Aygün, Z. (2007). Relatedness of identities and emotional closeness with parents across and within cultures. *Asian Journal of Social Psychology, 10*, 145–161.
- Kağıtçıbaşı, Ç. (1996a). *Family and human development across cultures: A view from the other side*. Mahwah, NJ: Erlbaum.
- Kağıtçıbaşı, Ç. (1996b). The autonomous relational self: A new synthesis. *European Psychologist, 1*, 180–186.
- Kağıtçıbaşı, Ç. (1997). Whither multiculturalism? *Applied Psychology: An International Review, 46*, 44–49.
- Kağıtçıbaşı, Ç. (2005). Autonomy and relatedness in cultural context: Implications for self and family. *Journal of Cross-Cultural Psychology, 36*, 403–422.
- Kağıtçıbaşı, Ç., & Ataca, B. (2005). Value of children and family change: A three-decade portrait from Turkey. *Applied Psychology: An International Review, 54*, 317–337.

- Kerr, C. (2008). Bowen Family Systems Theory (BFST) and family art therapy. In C. Kerr, J. Hoshino, J. Sutherland, S. T. Parashak & L. L. McCarley (Eds.), *Family art therapy: Foundations of theory and practice* (pp. 95–117). New York, NY: Taylor & Francis Group.
- Kerr, M. E., & Bowen, M. (1988). *Family evaluation: An approach based on Bowen theory*. New York, NY: Norton & Co.
- Kim-Appel, D., Appel, J., Newman, I., & Parr, P. (2007). Testing the effectiveness of Bowen's concept of differentiation in predicting psychological distress in individuals age 62 years or older. *The Family Journal, 15*, 224–233.
- Knauth, D. A., & Skowron, E. A. (2004). Psychometric evaluation of the differentiation of self inventory for adolescents. *Nursing Research, 53*, 163–171.
- Lal, A., & Bartle-Haring, S. (2011). Relationship among differentiation of self, relationship satisfaction, partner support and depression in patients with chronic lung disease and their partners. *Journal of Marital and Family Therapy, 37*, 168–181.
- Licht, C., & Chabot, D. (2006). The Chabot Emotional Differentiation Scale: A theoretically and psychometrically sound instrument for measuring Bowen's intrapsychic aspect of differentiation. *Journal of Marital and Family Therapy, 32*, 167–180.
- Murdock, N. L., & Gore, P. A. (2004). Stress, coping, and differentiation of self: A test of Bowen theory. *Contemporary Family Therapy, 26*, 319–335.
- Murray, T. L., Daniels, M. H., & Murray, C. E. (2006). Differentiation of self, perceived stress, and symptom severity among patients with fibromyalgia syndrome. *Families, Systems, and Health, 24*, 117–159.
- Öner, N., & LeCompte, A. (1985). *Durumluk-Süreklı Kaygı Envanteri El Kitabı [The State-Trait Anxiety Inventory Manual]*. Istanbul: Boğaziçi University Press.
- Oyserman, D., & Lee, S. W. S. (2008). Does culture influence what and how we think? Effects of priming individualism and collectivism. *Psychological Bulletin, 134*, 311–342.
- Peleg, O. (2002). Bowen theory: A study of differentiation of self, social anxiety, and psychological symptoms. *Contemporary Family Therapy, 25*, 355–369.
- Peleg, O. (2008). The relation between differentiation of self and marital satisfaction: What can be learned from married people over the life course? *American Journal of Family Therapy, 36*, 1–14.
- Schnarch, D., & Regas, S. (2012). The Crucible Differentiation Scale: Assessing differentiation in human relationships. *Journal of Marital and Family Therapy, 38*, 639–652.
- Seponski, D. M., Bermudez, J. M., & Lewis, D. C. (2013). Creating culturally responsive family therapy models and research: Introducing the use of responsive evaluation as a method. *Journal of Marital and Family Therapy, 39*, 28–42.
- Skowron, E. (2000). The role of differentiation of self in marital adjustment. *Journal of Counseling Psychology, 47*, 229–237.
- Skowron, E. A. (2004). Differentiation of self, personal adjustment, problem solving, and ethnic group belonging among persons of color. *Journal of Counseling & Development, 82*, 447–456.
- Skowron, E. A., & Dendy, A. K. (2004). Differentiation of self and attachment in adulthood: Relational correlates of effortful control. *Contemporary Family Therapy: An International Journal, 26*, 337–357.
- Skowron, E. A., & Friedlander, M. L. (1998). The differentiation of self inventory: Development and initial validation. *Journal of Counseling Psychology, 45*, 1–11.
- Skowron, E. A., & Schmitt, T. A. (2003). Assessing interpersonal fusion: Reliability and validity of a new DSI Fusion With Others subscale. *Journal of Marital and Family Therapy, 29*, 209–222.
- Skowron, E., Stanley, K., & Shapiro, M. (2009). A longitudinal perspective on differentiation of self, interpersonal and psychological well-being in young adulthood. *Contemporary Family Therapy, 31*, 3–18.
- Skowron, E. A., Van Epps, J. J., & Cipriano, E. A. (in press). Toward greater understanding of differentiation of self in Bowen Family Systems Theory: Empirical developments and future directions. In C. Rabin & M. Mikulincer (Eds.), *Differentiation of self: Theory, research, and clinical applications* Tel Aviv, Israel: Amazia Press.
- Skowron, E. A., Wester, S. R., & Azen, R. (2004). Differentiation of self mediates college stress and adjustment. *Journal of Counseling & Development, 82*, 69–78.
- Spielberger, C. D., Gorsuch, R. L., Lushene, R., Vagg, P. R., & Jacobs, G. A. (1983). *Manual for the state-trait anxiety inventory*. Palo Alto, CA: Consulting Psychologists Press.
- Triandis, H. C. (1995). *Individualism and collectivism*. Boulder, CO: Westview Press.
- Triandis, H. C. (2007). Culture and psychology: A history of the study of their relationship. In S. Kitayama & D. Cohen (Eds.), *Handbook of cultural psychology* (pp. 59–76). New York, NY: Guilford Press.
- Tuason, M. T., & Friedlander, M. L. (2000). Do parents' differentiation levels predict those of their adult children? And other tests of Bowen theory in a Philippine sample. *Journal of Counseling Psychology, 47*, 27–35.

APPENDIX
DSI-T: BENLİĞİN AYRIMLAŞMASI ÖLÇEĞİ

Aşağıda kendinizle ve başkalarıyla olan ilişkilerinize yönelik düşünce ve duygularınızı içeren ifadeler yer almaktadır. Sizden istenen her bir ifadeyi dikkatlice okuyarak 1'den 6'ya kadar olan seçeneklerden şizi en iyi ifade eden seçeneği işaretlemenizdir. Eğer herhangi bir madde sizinle direkt ilgili gözüküyorsa (örn., şu anda bir eşiniz/partneriniz yoksa), olması halinde nasıl düşünüp nasıl davranabileceğinizle ilgili en iyi tahmininizi belirtiniz. İçten yanıtlarınız için teşekkürler.

	HIÇ		UYGUN		ÇOK	
	UYGUN		DEĞİL		UYGUN	
	1	2	3	4	5	6
1. Ailemin yanındayken genellikle kendimi kısıtlanmış hissedirim.	1	2	3	4	5	6
2. Önemli bir işe ya da göreve başlarken genellikle başkalarının cesaretlendirmesine ihtiyaç duyarım.	1	2	3	4	5	6
3. İnsanlar benimle yakınlık kurmaya çalıştıklarında, kendimi onlardan uzak tutarım.	1	2	3	4	5	6
4. İnsanlar benimle yakınlık kurmaya çalıştıklarında, bundan genellikle rahatsızlık duyarım.	1	2	3	4	5	6
5. Hemen hemen hayatımdaki herkesten onay alma ihtiyacı hissedirim.	1	2	3	4	5	6
6. Değiştiremeyeceğim şeyler için üzülmenin bir anlamı yok.	1	2	3	4	5	6
7. Yakın ilişkilerimde kısıtlanma kaygısı yaşarım.	1	2	3	4	5	6
8. Eleştirilmek beni oldukça rahatsız eder.	1	2	3	4	5	6
9. Anne/babamın beklentilerine göre yaşamaya çalışırım.	1	2	3	4	5	6
10. Kendimi olduğum gibi kabul ederim.	1	2	3	4	5	6
11. Eşimle/partnerimle bir tartışma yaşarsam, tüm gün bu tartışma üzerine düşünürüm.	1	2	3	4	5	6
12. Başkaları tarafından baskı altında olduğumu hissettiğim zamanlarda bile onlara “hayır” diyebilirim.	1	2	3	4	5	6
13. Yaptığım şeyin doğru olduğunu düşünüyorsam başkalarının ne dediğini pek de umursamam.	1	2	3	4	5	6
14. Bir karar alırken danışacağım birileri yoksa kolay kolay karar veremem.	1	2	3	4	5	6
15. Başkaları tarafından incitilmek beni aşırı derecede rahatsız eder.	1	2	3	4	5	6
16. Eşimin/partnerimin yoğun ilgisi beni bunaltır.	1	2	3	4	5	6
17. İnsanlar üzerindeki izlenimimi merak ederim.	1	2	3	4	5	6
18. Duygularımı genellikle çevremdekilerden daha yoğun yaşarım.	1	2	3	4	5	6
19. Hayatımda ne olursa olsun, kendimle ilgili düşüncelerimden asla taviz vermem.	1	2	3	4	5	6
20. Anne/babamın fikrini almadan karar veremem.	1	2	3	4	5	6

Puanlama: (Altı çizili maddeler tersten hesaplanacaktır)

Duygusal tepkisellik: 8, 11, 15, 17, 18

“Ben” pozisyonu: 6, 10, 12, 13, 19

Duygusal kopma: 1, 3, 4, 7, 16

Başkalarına bağımlılık: 2, 5, 9, 14, 20

Değerlendirme: Ters çevirme işleminden sonra 20 maddenin toplamı “Toplam Benliğin Ayrışması” puanını, alt ölçeklerin toplamı ise her bir alt ölçeğe ilişkin benliğin ayrışması puanını vermektedir. Puanın yüksekliği, benliğin ayrışma düzeyinin yüksekliğini ifade etmektedir.